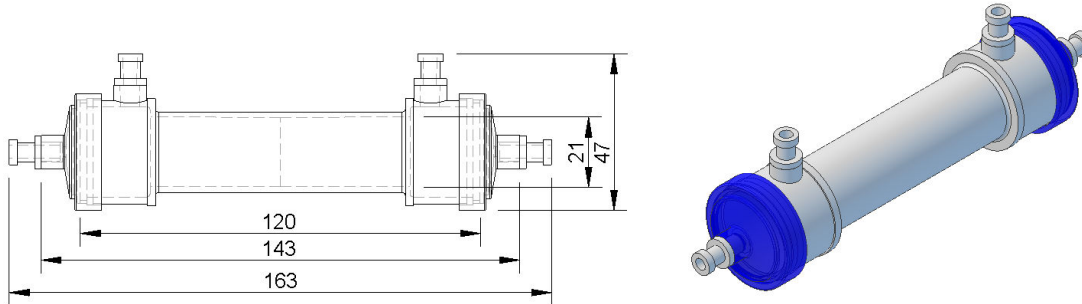


Ultra L – 1800 / 20 kDa PES

Art.-No.: 0510146

Abstract

Ultrafiltration PES hollow fiber module with 1,800 cm² inner surface area.



Membrane

Membrane material:	PES-HF, Polyethersulfone
Geometry (ID/OD):	200 µm/ 280 µm
MWCO / pore size:	20 kDa

Housing

Housing material:	Polycarbonate
Dimensions:	see drawing
ICS connectors:	2 x Female Luer Connectors (Polycarbonate)
ECS connectors:	2 x Female Luer Connectors (Polycarbonate)
Potting material:	Polyurethane

Module

Number of fibers:	2,850 ± 100
Package density:	~ 50 %
Active fiber length:	100 ± 3 mm
Inner surface area:	1,800 ± 20 cm ²
Outer surface area:	2,500 ± 20 cm ²
Intra capillary volume:	~ 10.5 ml
Extra capillary volume:	~ 17.5 ml
Max. operating pressure:	1 bar

Miscellaneous

Quality control:	100 % Integrity tested (housing + fiber)
Packaging:	On customer request
Gamma Irradiation (25-40kGy):	On customer request

Cautions

Storing:	dry, between 5 – 40 °C
Operating Temperature:	5 – 40 °C
Recommended operation time:	max. 30 days
Application:	single use, not for re-sterilization