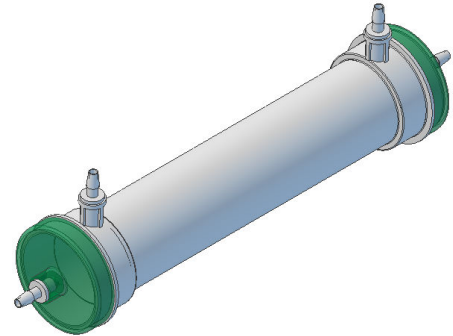
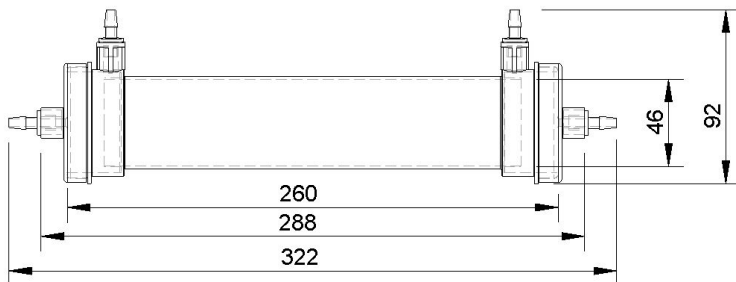


Ultra XL – 18000 – A / 5 kDa

Art.-No.: 0510116

Abstract

Ultrafiltration hollow fiber module with 1.8 m² inner surface area.



Membrane

Membrane material: PS-LF, Polysulfone
Geometry (ID/OD): 200 µm/ 280 µm
MWCO / pore size: 5 kDa

Housing

Housing material: Polycarbonate
Dimensions: see drawing
ICS connectors: 2 x Hose Barb 6 mm (Polycarbonate)
ECS connectors: 2 x Hose Barb 6 mm (Polycarbonate)
Potting material: Polyurethane

Module

Number of fibers: 12,150 ± 500
Package density: ~ 45 %
Active fiber length: 240 ± 4 mm
Inner surface area: 1.8 ± 0.1 m²
Outer surface area: 2.6 ± 0.1 m²
Intra capillary volume: ~ 100 ml
Extra capillary volume: ~ 220 ml
Max. operating pressure: 1.5 bar

Miscellaneous

Quality control: 100 % Integrity tested (housing + fiber)
Packaging: On customer request
Gamma Irradiation (25-40kGy): On customer request

Cautions

Storing: dry, between 5 – 40 °C
Operating Temperature: 5 – 40 °C
Recommended operation time: max. 30 days
Application: single use, not for re-sterilization