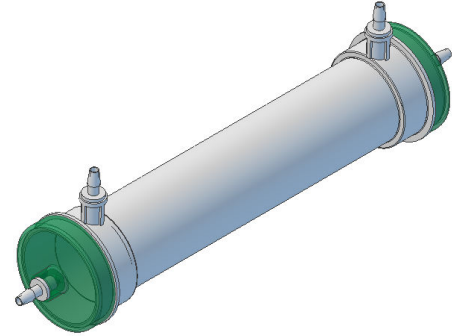
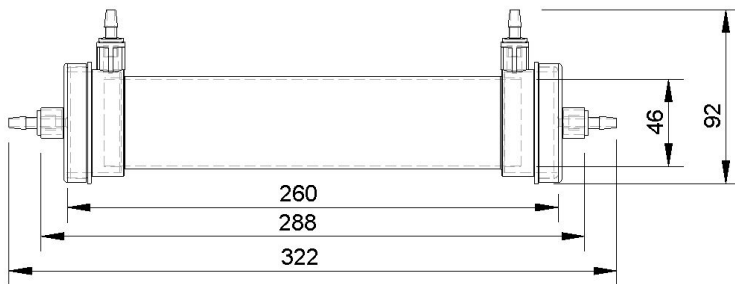


## Ultra XL – 18000 – A / 20 kDa

Art.-No.: 0510113

### Abstract

Ultrafiltration hollow fiber module with 1.8 m<sup>2</sup> inner surface area.



### Membrane

Membrane material:	PS-HF, Polysulfone
Geometry (ID/OD):	200 µm/ 280 µm
MWCO / pore size:	20 kDa

### Housing

Housing material:	Polycarbonate
Dimensions:	see drawing
ICS connectors:	2 x Hose Barb 6 mm (Polycarbonate)
ECS connectors:	2 x Hose Barb 6 mm (Polycarbonate)
Potting material:	Polyurethane

### Module

Number of fibers:	12,150 ± 500
Package density:	~ 45 %
Active fiber length:	240 ± 4 mm
Inner surface area:	1.8 ± 0.1 m <sup>2</sup>
Outer surface area:	2.6 ± 0.1 m <sup>2</sup>
Intra capillary volume:	~ 100 ml
Extra capillary volume:	~ 220 ml
Max. operating pressure:	1.5 bar

### Miscellaneous

Quality control:	100 % Integrity tested (housing + fiber)
Packaging:	On customer request
Gamma Irradiation (25-40kGy):	On customer request

### Cautions

Storing:	dry, between 5 – 40 °C
Operating Temperature:	5 – 40 °C
Recommended operation time:	max. 30 days
Application:	single use, not for re-sterilization