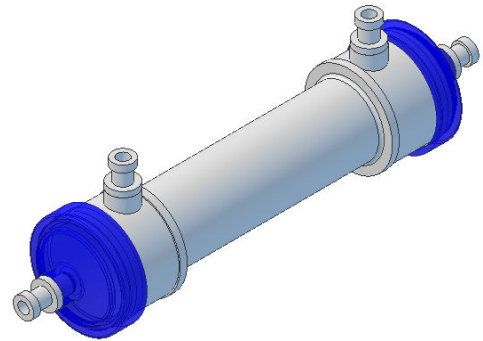
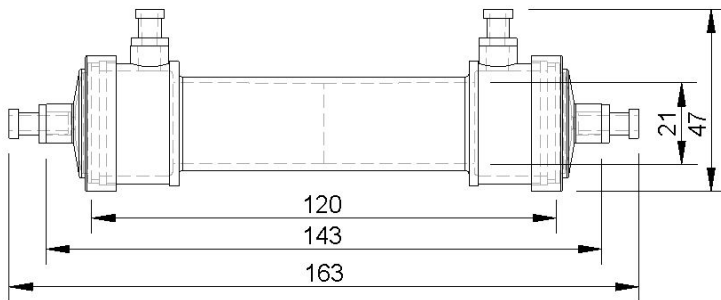


Gastransfermodul M

Art.-No.: 0510143

Abstract

Gas transfer module with 1900 cm² outer surface area.



Membrane

Membrane material: PMP, Polymethylpentene
 Geometry (ID/OD): 200 µm/ 380 µm

Housing

Housing material: Polycarbonate
 Dimensions: see drawing
 ICS connectors: 2 x Female Luer Connectors (Polycarbonate)
 ECS connectors: 2 x Female Luer Connectors (Polycarbonate)
 Potting material: Polyurethane

Module

Number of fibers: 1570 ± 80
 Package density: ~ 50 %
 Active fiber length: 100 ± 5 mm
 Inner surface area: 1000 ± 50 cm²
 Outer surface area: 1900 ± 100 cm²
 Intra capillary volume: ~ 6 mL
 Extra capillary volume: ~ 17 mL
 Max. operating pressure: 1.5 bar

Miscellaneous

Quality control: 100 % Integrity tested (housing + fiber)
 Packaging: On customer request
 Gamma Irradiation (25-40kGy): On customer request, see also Customer Info PMP or PP Membrane Sterilizability

Cautions

Storing: dry, between 5 – 40 °C
 Operating Temperature: 5 – 40 °C